

CLSG-Series, High Tonnage Cylinders

▼ Shown from left to right: CLSG-506, CLSG-5006, CLSG-4006



- Integral stop ring provides piston blow-out protection
- Baked enamel outside finish and plated pistons provide superior corrosion protection
- Interchangeable, hardened grooved saddles are standard
- Base mounting holes are standard on all models
- Plunger wiper reduces contamination, extending cylinder life
- Single-acting, load return.

▼ Eight CLSG-2506 cylinders equipped with tilting saddles lifted the planking of the bridge as the pier heads were being rebuilt.



The Single-Acting Heavy Lifting Solution with Integral Stop Ring



Saddles

All CLSG-Series cylinders are equipped with bolt-on removable grooved saddles. For information on optional tilt saddles, see selection chart.



Gauges

Minimize the risk of overloading and ensure long, dependable service from your equipment. Refer to the

System Components Section for a full range of gauges.



Optimum Performance

Enerpac's range of Z-Class electric pumps, fitted with manual or solenoid operated 4-way valves, offer optimum combinations with CLSG cylinders.



Low Height - High Tonnage

When low height with high force is required, CLP-Series Pancake Cylinders with locknut offer the solution to

lift the first few centimetres.



Standard Features

- Interchangeable, hardened grooved saddles
- Top and side mounted lifting eye capability
- CR-400 coupler and dustcap
- All cylinders meet ASME B-30.1 and ISO 10100 standards.




Click Here To Close This PDF Document.

Single-Acting, High Tonnage Cylinders

▼ QUICK SELECTION CHART

For complete technical information see next page.

Cylinder Capacity	Stroke	Model Number	Cylinder Effective Area	Oil Capacity	Collapsed Height	
ton (kN)	(mm)		(cm ²)	(cm ³)	(mm)	(kg)
50 (539)	50	CLSG-502	77,0	385	162	17
	100	CLSG-504	77,0	770	212	20
	150	CLSG-506	77,0	1155	262	23
	200	CLSG-508	77,0	1540	312	27
	250	CLSG-5010	77,0	1924	362	31
	300	CLSG-5012	77,0	2309	412	34
100 (929)	50	CLSG-1002	132,7	664	182	19
	100	CLSG-1004	132,7	1327	232	29
	150	CLSG-1006	132,7	1991	282	40
	200	CLSG-1008	132,7	2655	332	50
	250	CLSG-10010	132,7	3318	382	61
	300	CLSG-10012	132,7	3982	432	71
150 (1390)	50	CLSG-1502	198,6	993	196	39
	100	CLSG-1504	198,6	1986	246	52
	150	CLSG-1506	198,6	2978	296	65
	200	CLSG-1508	198,6	3971	346	78
	250	CLSG-15010	198,6	4964	396	92
	300	CLSG-15012	198,6	5957	446	105
200 (1861)	50	CLSG-2002	265,9	1330	216	55
	150	CLSG-2006	265,9	3989	316	91
	300	CLSG-20012	265,9	7977	466	146
250 (2565)	50	CLSG-2502	366,4	1832	235	102
	150	CLSG-2506	366,4	5497	335	136
	300	CLSG-25012	366,4	10993	485	207
300 (3193)	50	CLSG-3002	456,2	2281	312	184
	150	CLSG-3006	456,2	6843	412	232
	300	CLSG-30012	456,2	13685	562	303
400 (3919)	50	CLSG-4002	559,9	2800	375	270
	150	CLSG-4006	559,9	8399	475	330
	300	CLSG-40012	559,9	16797	625	421
500 (5114)	50	CLSG-5002	730,6	3653	419	401
	150	CLSG-5006	730,6	10959	519	480
	300	CLSG-50012	730,6	21918	669	599
600 (5987)	50	CLSG-6002	855,3	4276	429	474
	150	CLSG-6006	855,3	12829	529	565
	300	CLSG-60012	855,3	25659	679	701
800 (8234)	50	CLSG-8002	1176,3	5881	474	741
	150	CLSG-8006	1176,3	17644	574	880
	300	CLSG-80012	1176,3	35288	724	1058
1000 (10260)	50	CLSG-10002	1465,7	7329	564	1062
	150	CLSG-10006	1465,7	21986	664	1213
	300	CLSG-100012	1465,7	43972	814	1439

CLSG Series



Capacity:

50 - 1000 ton

Stroke:

50 - 300 mm

Maximum Operating Pressure:

700 bar



Higher Capacities

1500 and 2000 ton models available on request.

Additional Stroke Lengths

Models above 150 ton are also available with standard stroke lengths of 100, 200 and 250 mm. Please contact Enerpac for ordering information.



Lifting an Unbalanced Load?

When lifting an unbalanced load **Enerpac Integrated Lifting Systems** can be

the solution with multiple lift point capabilities from 4 to 64 points. See our "Yellow Pages" for multi-cylinder set-ups.



Optional features

To add optional features to your cylinders, add the following suffix to the end of the model number.

Collar thread *

E002

* On 400 ton models and higher.

Example:

- For CLSG-5006 cylinder with collar thread, order: **CLSG-5006E002**

Technical specifications for these features are available from Enerpac.



Click Here To Close This PDF Document.

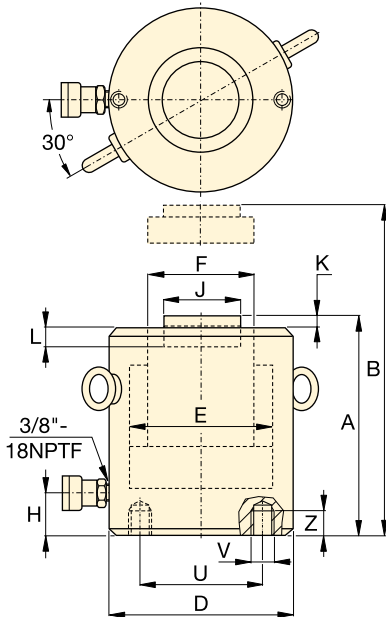
CLSG-Series, High Tonnage Cylinders



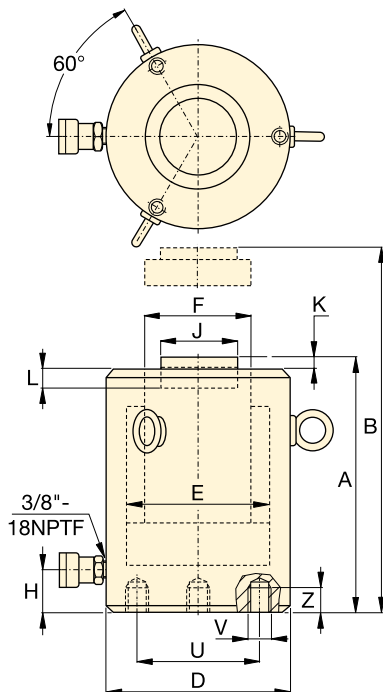
Mounting Hole Orientation

Top mounting hole orientation is maintained to port location. Base mounting hole orientation is not maintained to port location.

◀ For full features see previous page.



CLSG-502 - CLSG-15012



CLSG-2002 - CLSG-100012

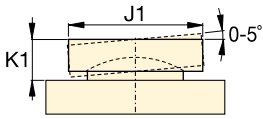
Cylinder Capacity	Stroke	Model Number	Cylinder Effective Area	Oil Capacity
ton (kN)	(mm)		(cm ²)	(cm ³)
50 (539)	50	CLSG-502	77,0	385
	100	CLSG-504	77,0	770
	150	CLSG-506	77,0	1155
	200	CLSG-508	77,0	1540
	250	CLSG-5010	77,0	1924
	300	CLSG-5012	77,0	2309
100 (929)	50	CLSG-1002	132,7	664
	100	CLSG-1004	132,7	1327
	150	CLSG-1006	132,7	1991
	200	CLSG-1008	132,7	2655
	250	CLSG-10010	132,7	3318
	300	CLSG-10012	132,7	3982
150 (1390)	50	CLSG-1502	198,6	993
	100	CLSG-1504	198,6	1986
	150	CLSG-1506	198,6	2978
	200	CLSG-1508	198,6	3971
	250	CLSG-15010	198,6	4964
	300	CLSG-15012	198,6	5957
200 (1861)	50	CLSG-2002	265,9	1330
	150	CLSG-2006	265,9	3989
	300	CLSG-20012	265,9	7977
250 (2565)	50	CLSG-2502	366,4	1832
	150	CLSG-2506	366,4	5497
	300	CLSG-25012	366,4	10993
300 (3193)	50	CLSG-3002	456,2	2281
	150	CLSG-3006	456,2	6843
	300	CLSG-30012	456,2	13685
400 (3919)	50	CLSG-4002	559,9	2800
	150	CLSG-4006	559,9	8399
	300	CLSG-40012	559,9	16797
500 (5114)	50	CLSG-5002	730,6	3653
	150	CLSG-5006	730,6	10959
	300	CLSG-50012	730,6	21918
600 (5987)	50	CLSG-6002	855,3	4276
	150	CLSG-6006	855,3	12829
	300	CLSG-60012	855,3	25659
800 (8234)	50	CLSG-8002	1176,3	5881
	150	CLSG-8006	1176,3	17644
	300	CLSG-80012	1176,3	35288
1000 (10260)	50	CLSG-10002	1465,7	7329
	150	CLSG-10006	1465,7	21986
	300	CLSG-100012	1465,7	43972

Base Mounting Hole ¹⁾ Dimensions (mm)			
Model / Capacity ton	Bolt Circle U	Thread Size V	Min. Thread Depth Z
CLSG-50	65	2x M12	22
CLSG-100	95	2x M12	22
CLSG-150	130	2x M12	22
CLSG-200	165	3x M12	22
CLSG-250	190	3x M12	22
CLSG-300	180	3x M16	30
CLSG-400	205	3x M16	30
CLSG-500	250	3x M24	36
CLSG-600	275	3x M24	36
CLSG-800	330	3x M24	36
CLSG-1000	375	3x M24	36

¹⁾ Base mounting holes are random positioned in regard to coupler position.

Single-Acting, High Tonnage Cylinders

Optional Tilt Saddle *



Capacity:
50 - 1000 ton

Stroke:
50 - 300 mm

Maximum Operating Pressure:
700 bar

CLSG Series



Collapsed Height	Extended Height	Outside Dia.	Cylinder Bore Dia.	Plunger Dia.	Base to Adv. Port H	Standard Saddle Dia. J	Saddle Protr. from Plgr. K	Depth of Plunger Hole L	🏋️ (kg)	Model Number	* Optional Tilt Saddle		
											Saddle Dia. J1 (mm)	Saddle Height K1 (mm)	Saddle Model Number
A (mm)	B (mm)	D (mm)	E (mm)	F (mm)	H (mm)	J (mm)	K (mm)	L (mm)			J1 (mm)	K1 (mm)	Model Number
162	212	130	99,0	70,0	52	50	1	19	17	CLSG-502	50	24	CATG-50
212	312	130	99,0	70,0	52	50	1	19	20	CLSG-504	50	24	CATG-50
262	412	130	99,0	70,0	52	50	1	19	23	CLSG-506	50	24	CATG-50
312	512	130	99,0	70,0	52	50	1	19	27	CLSG-508	50	24	CATG-50
362	612	130	99,0	70,0	52	50	1	19	31	CLSG-5010	50	24	CATG-50
412	712	130	99,0	70,0	52	50	1	19	34	CLSG-5012	50	24	CATG-50
182	232	165	130,0	95,0	54	75	1	19	19	CLSG-1002	73	29	CATG-100
232	332	165	130,0	95,0	54	75	1	19	29	CLSG-1004	73	29	CATG-100
282	432	165	130,0	95,0	54	75	1	19	40	CLSG-1006	73	29	CATG-100
332	532	165	130,0	95,0	54	75	1	19	50	CLSG-1008	73	29	CATG-100
382	632	165	130,0	95,0	54	75	1	19	61	CLSG-10010	73	29	CATG-100
432	732	165	130,0	95,0	54	75	1	19	71	CLSG-10012	73	29	CATG-100
196	246	205	159,0	114,0	61	94	1	19	39	CLSG-1502	91	31	CATG-150
246	346	205	159,0	114,0	61	94	1	19	52	CLSG-1504	91	31	CATG-150
296	446	205	159,0	114,0	61	94	1	19	65	CLSG-1506	91	31	CATG-150
346	546	205	159,0	114,0	61	94	1	19	78	CLSG-1508	91	31	CATG-150
396	646	205	159,0	114,0	61	94	1	19	92	CLSG-15010	91	31	CATG-150
446	746	205	159,0	114,0	61	94	1	19	105	CLSG-15012	91	31	CATG-150
216	266	235	184,0	133,0	67	113	1	24	55	CLSG-2002	118	35	CATG-200
316	466	235	184,0	133,0	67	113	1	24	91	CLSG-2006	118	35	CATG-200
466	766	235	184,0	133,0	67	113	1	24	146	CLSG-20012	118	35	CATG-200
235	285	275	216,0	165,0	73	145	1	24	102	CLSG-2502	144	46	CATG-250
335	485	275	216,0	165,0	73	145	1	24	136	CLSG-2506	144	46	CATG-250
485	785	275	216,0	165,0	73	145	1	24	207	CLSG-25012	144	46	CATG-250
312	362	310	241,0	197,0	101	177	1	19	184	CLSG-3002	160	62	CATG-300
412	562	310	241,0	197,0	101	177	1	19	232	CLSG-3006	160	62	CATG-300
562	862	310	241,0	197,0	101	177	1	19	303	CLSG-30012	160	62	CATG-300
375	425	350	267,0	216,0	114	196	3	27	270	CLSG-4002	193	51	CATG-400
475	625	350	267,0	216,0	114	196	3	27	330	CLSG-4006	193	51	CATG-400
625	925	350	267,0	216,0	114	196	3	27	421	CLSG-40012	193	51	CATG-400
419	469	400	305,0	248,0	114	228	3	27	401	CLSG-5002	228	63	CATG-500
519	669	400	305,0	248,0	114	228	3	27	480	CLSG-5006	228	63	CATG-500
669	969	400	305,0	248,0	114	228	3	27	599	CLSG-50012	228	63	CATG-500
429	479	430	330,0	267,0	114	247	3	27	474	CLSG-6002	241	76	CATG-600
529	679	430	330,0	267,0	114	247	3	27	565	CLSG-6006	241	76	CATG-600
679	979	430	330,0	267,0	114	247	3	27	701	CLSG-60012	241	76	CATG-600
474	524	505	387,0	317,0	149	297	3	27	741	CLSG-8002	287	75	CATG-800
574	724	505	387,0	317,0	149	297	3	27	880	CLSG-8006	287	75	CATG-800
724	1024	505	387,0	317,0	149	297	3	27	1058	CLSG-80012	287	75	CATG-800
564	614	560	432,0	343,0	174	323	3	27	1062	CLSG-10002	311	93	CATG-1000
664	814	560	432,0	343,0	174	323	3	27	1213	CLSG-10006	311	93	CATG-1000
814	1114	560	432,0	343,0	174	323	3	27	1439	CLSG-100012	311	93	CATG-1000

CLS-Series, High Tonnage Cylinders

▼ Shown from left to right: CLS-1002, CLS-506, CLS-502



- **Lowest collapsed height for use in confined spaces**
- **Overflow port functions as a stroke limiter**
- **Plunger wiper reduces contamination, extending cylinder life**
- **Interchangeable, hardened grooved saddles are standard**
- **Special synthetic coating for improved corrosion resistance and lower friction for smoother operation**
- **CR-400 coupler and dust cap included on all models**
- **Single-acting, load return.**

▼ *CLS-cylinders doing their job, synchronised lifting a complete fly-over for exact positioning.*



The Single-Acting Heavy Lifting Solution With Reduced Collapsed Height



Saddles

All CLS cylinders are equipped with bolt-on removable grooved saddles. For information on optional tilt saddles, see selection chart.



Gauges

Minimize the risk of overloading and ensure long, dependable service from your equipment. Refer to the System Components Section for a full range of gauges.



Remote Lifting

For heavy lifting in remote locations use the Enerpac Z-Class electric pumps.



Low Height - High Tonnage

When low height with high force is required, **CLP-Series** Pancake Cylinders with locknut offer the solution to lift the first few centimetres.



Synchronous Lifting Systems

The solution for multiple lift point capabilities from 4 to 64 points.




[Click Here To Close This PDF Document.](#)

Single-Acting, High Tonnage Cylinders

▼ QUICK SELECTION CHART

For complete technical information see next page.

Cylinder Capacity	Stroke	Model Number	Cylinder Effective Area	Oil Capacity	Collapsed Height	
ton (kN)	(mm)		(cm ²)	(cm ³)	(mm)	(kg)
50 (496)	50	CLS-502	70,9	355	128	14
	100	CLS-504	70,9	709	178	18
	150	CLS-506	70,9	1064	228	23
	200	CLS-508	70,9	1418	278	28
	250	CLS-5010	70,9	1773	327	33
	300	CLS-5012	70,9	2127	378	38
100 (929)	50	CLS-1002	132,7	664	143	24
	100	CLS-1004	132,7	1327	193	32
	150	CLS-1006	132,7	1991	243	40
	200	CLS-1008	132,7	2654	293	49
	250	CLS-10010	132,7	3318	343	58
	300	CLS-10012	132,7	3981	392	66
150 (1390)	50	CLS-1502	198,6	993	165	43
	100	CLS-1504	198,6	1986	215	55
	150	CLS-1506	198,6	2979	265	69
	200	CLS-1508	198,6	3972	315	82
	250	CLS-15010	198,6	4965	365	95
	300	CLS-15012	198,6	5958	414	108
200 (1859)	50	CLS-2002	265,6	1330	193	66
	150	CLS-2006	265,6	3989	293	101
	300	CLS-20012	265,6	7977	443	154
250 (2562)	50	CLS-2502	366,1	1832	193	90
	150	CLS-2506	366,1	5496	293	137
	300	CLS-25012	366,1	10996	443	208
300 (3193)	50	CLS-3002	456,2	2281	235	137
	150	CLS-3006	456,2	6843	335	198
	300	CLS-30012	456,2	13710	485	288
400 (3919)	50	CLS-4002	559,9	2800	265	200
	150	CLS-4006	559,9	8399	365	275
	300	CLS-40012	559,9	16770	515	390
500 (5118)	50	CLS-5002	731,1	3656	295	289
	150	CLS-5006	731,1	10967	395	390
	300	CLS-50012	731,1	21900	545	540
600 (5983)	50	CLS-6002	854,8	4277	310	350
	150	CLS-6006	854,8	12830	410	465
	300	CLS-60012	854,8	25710	560	640
800 (8238)	50	CLS-8002	1176,9	5882	355	549
	150	CLS-8006	1176,9	17645	455	709
	300	CLS-80012	1176,9	35370	605	950
1000 (10260)	50	CLS-10002	1466,4	7329	385	729
	150	CLS-10006	1466,4	21986	485	921
	300	CLS-100012	1466,4	43950	635	1210

CLS Series



Capacity:

50 - 1000 ton

Stroke:

50 - 300 mm

Maximum Operating Pressure:

700 bar



Higher Capacities

1500 and 2000 ton models are available on request.

Additional Stroke Lengths

Models above 150 ton are also available with standard stroke lengths of 100, 200 and 250 mm. Please contact Enerpac for ordering information.



Lifting an Unbalanced Load?

See our 'Yellow Pages' for multi-cylinder set-ups.



Optional features

To add optional features to your cylinders, add the following suffix to the end of the model number.

Spring return

E001

Example:

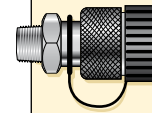
- For CLS-5006 cylinder with spring return, order: **CLS-5006E001**

Technical specifications for these features are available from Enerpac.



Click Here To Close This PDF Document.

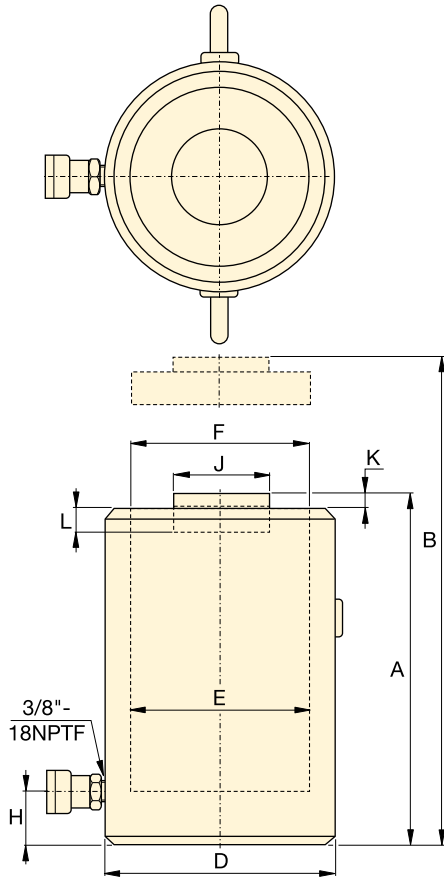
CLS-Series, High Tonnage Cylinders



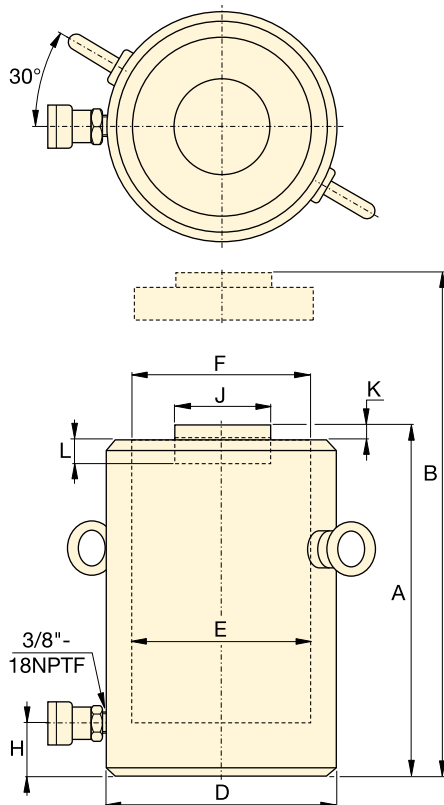
Couplers Included!

CR-400 couplers included on all models. Fit all HC-Series hoses.

◀ For full features see previous page.



CLS-502 - CLS-25012



CLS-3002 - CLS-100012

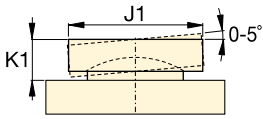
Cylinder Capacity	Stroke	Model Number	Cylinder Effective Area	Oil Capacity
ton (kN)	(mm)		(cm ²)	(cm ³)
50 (496)	50	CLS-502	70,9	355
	100	CLS-504	70,9	709
	150	CLS-506	70,9	1064
	200	CLS-508	70,9	1418
	250	CLS-5010	70,9	1773
	300	CLS-5012	70,9	2127
100 (929)	50	CLS-1002	132,7	664
	100	CLS-1004	132,7	1327
	150	CLS-1006	132,7	1991
	200	CLS-1008	132,7	2654
	250	CLS-10010	132,7	3318
	300	CLS-10012	132,7	3981
150 (1390)	50	CLS-1502	198,6	993
	100	CLS-1504	198,6	1986
	150	CLS-1506	198,6	2979
	200	CLS-1508	198,6	3972
	250	CLS-15010	198,6	4965
	300	CLS-15012	198,6	5958
200 (1859)	50	CLS-2002	265,6	1330
	150	CLS-2006	265,6	3989
	300	CLS-20012	265,6	7977
250 (2562)	50	CLS-2502	366,1	1832
	150	CLS-2506	366,1	5496
	300	CLS-25012	366,1	10996
300 (3193)	50	CLS-3002	456,2	2281
	150	CLS-3006	456,2	6843
	300	CLS-30012	456,2	13710
400 (3919)	50	CLS-4002	559,9	2800
	150	CLS-4006	559,9	8399
	300	CLS-40012	559,9	16770
500 (5118)	50	CLS-5002	731,1	3656
	150	CLS-5006	731,1	10967
	300	CLS-50012	731,1	21900
600 (5983)	50	CLS-6002	854,8	4277
	150	CLS-6006	854,8	12830
	300	CLS-60012	854,8	25710
800 (8238)	50	CLS-8002	1176,9	5882
	150	CLS-8006	1176,9	17645
	300	CLS-80012	1176,9	35370
1000 (10260)	50	CLS-10002	1466,4	7329
	150	CLS-10006	1466,4	21986
	300	CLS-100012	1466,4	43950



Click Here To Close This PDF Document.

Single-Acting, High Tonnage Cylinders

Optional Tilt Saddle *



Capacity:

50 - 1000 ton

Stroke:


50 - 300 mm

Maximum Operating Pressure:

700 bar

CLS Series



Collapsed Height	Extended Height	Outside Dia.	Cylinder Bore Dia.	Plunger Dia.	Base to Adv. Port H	Standard Saddle Dia.	Saddle Protr. from Plgr. K	Depth of Plunger Hole L	 (kg)	Model Number	* Optional Tilt Saddle		
											Saddle Dia. J1 (mm)	Saddle Height K1 (mm)	Saddle Model Number
A (mm)	B (mm)	D (mm)	E (mm)	F (mm)	H (mm)	J (mm)	K (mm)	L (mm)			J1 (mm)	K1 (mm)	
128	178	125	95,0	95,0	30	71	2	13	14	CLS-502	71	24	CAT-100
178	278	125	95,0	95,0	30	71	2	13	18	CLS-504	71	24	CAT-100
228	378	125	95,0	95,0	30	71	2	13	23	CLS-506	71	24	CAT-100
278	478	125	95,0	95,0	30	71	2	13	28	CLS-508	71	24	CAT-100
327	578	125	95,0	95,0	30	71	2	13	33	CLS-5010	71	24	CAT-100
378	678	125	95,0	95,0	30	71	2	13	38	CLS-5012	71	24	CAT-100
143	193	165	130,0	130,0	30	71	2	13	24	CLS-1002	71	24	CAT-100
193	293	165	130,0	130,0	30	71	2	13	32	CLS-1004	71	24	CAT-100
243	393	165	130,0	130,0	30	71	2	13	40	CLS-1006	71	24	CAT-100
293	493	165	130,0	130,0	30	71	2	13	49	CLS-1008	71	24	CAT-100
343	593	165	130,0	130,0	30	71	2	13	58	CLS-10010	71	24	CAT-100
392	693	165	130,0	130,0	30	71	2	13	66	CLS-10012	71	24	CAT-100
165	215	205	159,0	159,0	39	130	2	25	43	CLS-1502	130	20	CAT-200
215	315	205	159,0	159,0	39	130	2	25	55	CLS-1504	130	20	CAT-200
265	415	205	159,0	159,0	39	130	2	25	69	CLS-1506	130	20	CAT-200
315	515	205	159,0	159,0	39	130	2	25	82	CLS-1508	130	20	CAT-200
365	615	205	159,0	159,0	39	130	2	25	95	CLS-15010	130	20	CAT-200
414	715	205	159,0	159,0	39	130	2	25	108	CLS-15012	130	20	CAT-200
193	243	235	183,9	183,9	50	130	2	25	66	CLS-2002	130	20	CAT-200
293	443	235	183,9	183,9	50	130	2	25	101	CLS-2006	130	20	CAT-200
443	743	235	183,9	183,9	50	130	2	25	154	CLS-20012	130	20	CAT-200
193	243	275	215,9	215,9	50	150	2	25	90	CLS-2502	150	21	CAT-250
293	443	275	215,9	215,9	50	150	2	25	137	CLS-2506	150	21	CAT-250
443	743	275	215,9	215,9	50	150	2	25	208	CLS-25012	150	21	CAT-250
235	285	310	241,0	241,0	59	139	5	25	137	CLS-3002	195	75	CAT-300
335	485	310	241,0	241,0	59	139	5	25	198	CLS-3006	195	75	CAT-300
485	785	310	241,0	241,0	59	139	5	25	288	CLS-30012	195	75	CAT-300
265	315	350	267,0	267,0	70	159	5	25	200	CLS-4002	225	85	CAT-400
365	515	350	267,0	267,0	70	159	5	25	275	CLS-4006	225	85	CAT-400
515	815	350	267,0	267,0	70	159	5	25	390	CLS-40012	225	85	CAT-400
295	345	400	305,1	305,1	80	179	5	25	289	CLS-5002	250	91	CAT-500
395	545	400	305,1	305,1	80	179	5	25	390	CLS-5006	250	91	CAT-500
545	845	400	305,1	305,1	80	179	5	25	540	CLS-50012	250	91	CAT-500
310	360	430	329,9	329,9	85	194	5	25	350	CLS-6002	275	96	CAT-600
410	560	430	329,9	329,9	85	194	5	25	465	CLS-6006	275	96	CAT-600
560	860	430	329,9	329,9	85	194	5	25	640	CLS-60012	275	96	CAT-600
355	405	505	387,1	387,1	100	224	5	25	549	CLS-8002	320	123	CAT-800
455	605	505	387,1	387,1	100	224	5	25	709	CLS-8006	320	123	CAT-800
605	905	505	387,1	387,1	100	224	5	25	950	CLS-80012	320	123	CAT-800
385	435	560	432,1	432,1	110	249	5	25	729	CLS-10002	360	136	CAT-1000
485	635	560	432,1	432,1	110	249	5	25	921	CLS-10006	360	136	CAT-1000
635	935	560	432,1	432,1	110	249	5	25	1210	CLS-100012	360	136	CAT-1000

CLRG-Series, High Tonnage Cylinders

▼ Shown from left to right: CLRG-506, CLRG-5006, CLRG-4006



- Double-acting, for positive retraction
- Integral stop ring provides piston blow-out protection
- Safety valve in retract side of cylinder helps to prevent damage in case of accidental over-pressurization
- Plunger wiper reduces contamination, extending cylinder life
- CR-400 coupler and dust cap included on all models
- Baked enamel finish and plated pistons provide superior corrosion resistance.

▼ *The dismantling of the temporary support towers of Beijing's "Bird's Nest". During the stage lowering process the bird's nest is alternatively supported by CLRG-Series cylinders.*



Double-Acting Power Lifters



Saddles

All CLRG cylinders are equipped with bolt-on removable grooved saddles. For information on optional tilt saddles, see selection chart.



Safety Device

A pilot-operated check valve (V-42) can be inserted between cylinder and pump. This valve provides a safety

lock on the cylinder under load at any position and remote control for unlocking.



Optimum Performance

Enerpac's range of ZU4-Series electric pumps, fitted with manual or solenoid operated 4-way

valves, offer optimum combinations with CLRG cylinders.



Standard Features

- Interchangeable, hardened grooved saddles
 - Top and side mounted lifting eyes
 - CR-400 coupler and dustcap
 - All cylinders meet ASME B-30.1 and ISO 10100 standards.

▼ *Replacing adjustment rolls under a fly-over with CLRG cylinders, for controlled lifting and lowering.*



Click Here To Close This PDF Document.

Double-Acting, High Tonnage Cylinders



RR-series

For higher cycle applications Enerpac RR-Series cylinders are a good alternative.

Page: **32**

▼ QUICK SELECTION CHART

For complete technical information see next page.

Cylinder Capacity ton (kN)	Stroke (mm)	Model Number	Cylinder Effective Area (cm ²)		Oil Capacity (cm ³)		Collapsed Height (mm)
			Push	Pull	Push	Pull	
50 (539)	50	CLRG-502	77,0	38,5	385	192	162
	100	CLRG-504	77,0	38,5	770	385	212
	150	CLRG-506	77,0	38,5	1155	577	262
	200	CLRG-508	77,0	38,5	1540	770	312
	250	CLRG-5010	77,0	38,5	1924	962	362
	300	CLRG-5012	77,0	38,5	2309	1155	412
100 (929)	50	CLRG-1002	132,7	61,9	664	309	179
	100	CLRG-1004	132,7	61,9	1327	619	229
	150	CLRG-1006	132,7	61,9	1991	928	279
	200	CLRG-1008	132,7	61,9	2655	1237	329
	250	CLRG-10010	132,7	61,9	3318	1546	379
	300	CLRG-10012	132,7	61,9	3982	1856	429
150 (1390)	50	CLRG-1502	198,6	96,5	993	482	196
	100	CLRG-1504	198,6	96,5	1986	965	246
	150	CLRG-1506	198,6	96,5	2978	1447	296
	200	CLRG-1508	198,6	96,5	3971	1930	346
	250	CLRG-15010	198,6	96,5	4964	2412	396
	300	CLRG-15012	198,6	96,5	5957	2895	446
200 (1861)	50	CLRG-2002	265,9	127,0	1330	635	212
	150	CLRG-2006	265,9	127,0	3989	1905	312
	300	CLRG-20012	265,9	127,0	7977	3809	462
250 (2565)	50	CLRG-2502	366,4	152,6	1832	763	235
	150	CLRG-2506	366,4	152,6	5497	2289	335
	300	CLRG-25012	366,4	152,6	10993	4578	485
300 (3193)	50	CLRG-3002	456,2	151,4	2281	757	322
	150	CLRG-3006	456,2	151,4	6843	2270	422
	300	CLRG-30012	456,2	151,4	13685	4541	572
400 (3919)	50	CLRG-4002	559,9	193,5	2800	967	374
	150	CLRG-4006	559,9	193,5	8399	2902	474
	300	CLRG-40012	559,9	193,5	16797	5804	624
500 (5114)	50	CLRG-5002	730,6	247,6	3653	1238	419
	150	CLRG-5006	730,6	247,6	10959	3713	519
	300	CLRG-50012	730,6	247,6	21918	7427	669
600 (5987)	50	CLRG-6002	855,3	295,4	4276	1477	429
	150	CLRG-6006	855,3	295,4	12829	4431	529
	300	CLRG-60012	855,3	295,4	25659	8862	679
800 (8234)	50	CLRG-8002	1176,3	387,0	5881	1935	484
	150	CLRG-8006	1176,3	387,0	17644	5806	584
	300	CLRG-80012	1176,3	387,0	35288	11611	734
1000 (10260)	50	CLRG-10002	1465,7	541,7	7329	2709	564
	150	CLRG-10006	1465,7	541,7	21986	8126	664
	300	CLRG-100012	1465,7	541,7	43972	16252	814

CLRG Series



Capacity:

50 - 1000 ton

Stroke:

50 - 300 mm

Maximum Operating Pressure:

700 bar



Pump Selection

A double-acting cylinder must be powered by a pump with a 4-way valve.



Higher Capacities

1500 and 2000 ton models are available on request.

Additional Stroke Lengths

Models above 150 ton are also available with standard stroke lengths of 100, 200 and 250 mm. Please contact Enerpac for ordering information.



Optional features

To add optional features to your cylinders, add the following suffixes to the end of the model number.

Collar thread *	E002
Plunger thread	E003
Collar * and plunger thread	E005

* On 400 ton and higher

Example:

- For CLRG-5006 cylinder with collar thread, order: **CLRG-5006E002**

Technical specifications for these features are available from Enerpac.



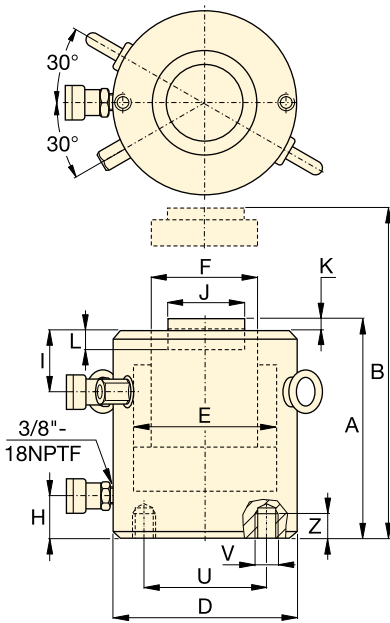
Click Here To Close This PDF Document.

CLRG-Series, High Tonnage Cylinders

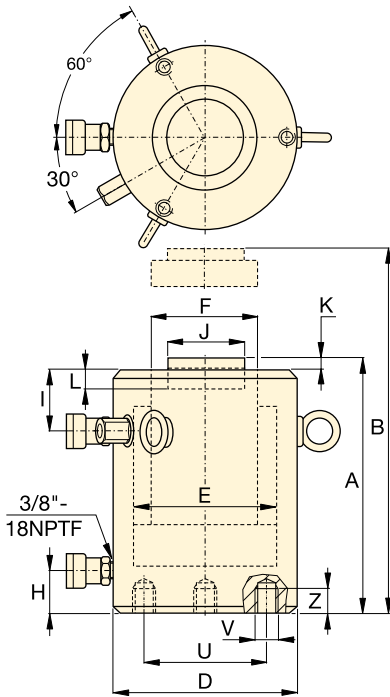


Mounting Hole Orientation

Top mounting hole orientation is maintained to port location. Base mounting hole orientation is not maintained to port location.



CLRG-502 - CLRG-15012



CLRG-2002 - CLRG-100012

◀ For full features see previous page.

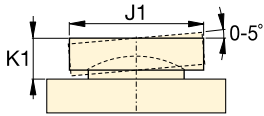
Cylinder Capacity (ton)	Stroke (mm)	Model Number	Maximum Cylinder Capacity (kN)		Cylinder Effective Area (cm ²)		Oil Capacity (cm ³)	
			Push	Pull	Push	Pull	Push	Pull
50	50	CLRG-502	539	269	77,0	38,5	385	192
	100	CLRG-504	539	269	77,0	38,5	770	385
	150	CLRG-506	539	269	77,0	38,5	1155	577
	200	CLRG-508	539	269	77,0	38,5	1540	770
	250	CLRG-5010	539	269	77,0	38,5	1924	962
	300	CLRG-5012	539	269	77,0	38,5	2309	1155
100	50	CLRG-1002	929	433	132,7	61,9	664	309
	100	CLRG-1004	929	433	132,7	61,9	1327	619
	150	CLRG-1006	929	433	132,7	61,9	1991	928
	200	CLRG-1008	929	433	132,7	61,9	2655	1237
	250	CLRG-10010	929	433	132,7	61,9	3318	1546
	300	CLRG-10012	929	433	132,7	61,9	3982	1856
150	50	CLRG-1502	1390	675	198,6	96,5	993	482
	100	CLRG-1504	1390	675	198,6	96,5	1986	965
	150	CLRG-1506	1390	675	198,6	96,5	2978	1447
	200	CLRG-1508	1390	675	198,6	96,5	3971	1930
	250	CLRG-15010	1390	675	198,6	96,5	4964	2412
	300	CLRG-15012	1390	675	198,6	96,5	5957	2895
200	50	CLRG-2002	1861	889	265,9	127,0	1330	635
	150	CLRG-2006	1861	889	265,9	127,0	3989	1905
	300	CLRG-20012	1861	889	265,9	127,0	7977	3809
250	50	CLRG-2502	2565	1068	366,4	152,6	1832	763
	150	CLRG-2506	2565	1068	366,4	152,6	5497	2289
	300	CLRG-25012	2565	1068	366,4	152,6	10993	4578
300	50	CLRG-3002	3193	1060	456,2	151,4	2281	757
	150	CLRG-3006	3193	1060	456,2	151,4	6843	2270
	300	CLRG-30012	3193	1060	456,2	151,4	13685	4541
400	50	CLRG-4002	3919	1354	559,9	193,5	2800	967
	150	CLRG-4006	3919	1354	559,9	193,5	8399	2902
	300	CLRG-40012	3919	1354	559,9	193,5	16797	5804
500	50	CLRG-5002	5114	1733	730,6	247,6	3653	1238
	150	CLRG-5006	5114	1733	730,6	247,6	10959	3713
	300	CLRG-50012	5114	1733	730,6	247,6	21918	7427
600	50	CLRG-6002	5987	2068	855,3	295,4	4276	1477
	150	CLRG-6006	5987	2068	855,3	295,4	12829	4431
	300	CLRG-60012	5987	2068	855,3	295,4	25659	8862
800	50	CLRG-8002	8234	2709	1176,3	387,0	5881	1935
	150	CLRG-8006	8234	2709	1176,3	387,0	17644	5806
	300	CLRG-80012	8234	2709	1176,3	387,0	35288	11611
1000	50	CLRG-10002	10260	3792	1465,7	541,7	7329	2709
	150	CLRG-10006	10260	3792	1465,7	541,7	21986	8126
	300	CLRG-100012	10260	3792	1465,7	541,7	43972	16252

Base Mounting Hole ¹⁾ Dimensions (mm)			
Model / Capacity ton	Bolt Circle U	Thread Size V	Min. Thread Depth Z
CLRG-50	65	2x M12	22
CLRG-100	95	2x M12	22
CLRG-150	130	2x M12	22
CLRG-200	165	3x M12	22
CLRG-250	190	3x M12	22
CLRG-300	180	3x M16	30
CLRG-400	205	3x M16	30
CLRG-500	250	3x M24	36
CLRG-600	275	3x M24	36
CLRG-800	330	3x M24	36
CLRG-1000	375	3x M24	36

¹⁾ Base mounting holes are random positioned in regard to coupler position.

Double-Acting, High Tonnage Cylinders

* **Optional Tilt Saddle**



Capacity:
50 - 1000 ton

Stroke:
50 - 300 mm

Maximum Operating Pressure:
700 bar

CLRG
Series



Collaps. Height	Extend. Height	Outside Dia.	Cyl. Bore Dia. E	Plunger Dia. F	Base to Advance Port H	Top to Retract Port I	Standard Saddle Dia. J	Saddle Protr. from Plgr. K	Depth of Plunger Hole L	Weight (kg)	Model Number	Optional Tilt Saddle *		
												Saddle Dia. J1 (mm)	Saddle Height K1 (mm)	Saddle Model Number
162	212	130	99	70	52	33	50	1	19	17	CLRG-502	50	24	CATG-50
212	312	130	99	70	52	33	50	1	19	20	CLRG-504	50	24	CATG-50
262	412	130	99	70	52	33	50	1	19	23	CLRG-506	50	24	CATG-50
312	512	130	99	70	52	33	50	1	19	27	CLRG-508	50	24	CATG-50
362	612	130	99	70	52	33	50	1	19	31	CLRG-5010	50	24	CATG-50
412	712	130	99	70	52	33	50	1	19	34	CLRG-5012	50	24	CATG-50
179	229	165	130	95	54	48	75	1	19	29	CLRG-1002	73	29	CATG-100
229	329	165	130	95	54	48	75	1	19	34	CLRG-1004	73	29	CATG-100
279	429	165	130	95	54	48	75	1	19	40	CLRG-1006	73	29	CATG-100
329	529	165	130	95	54	48	75	1	19	46	CLRG-1008	73	29	CATG-100
379	629	165	130	95	54	48	75	1	19	52	CLRG-10010	73	29	CATG-100
429	729	165	130	95	54	48	75	1	19	58	CLRG-10012	73	29	CATG-100
196	246	205	159	114	61	56	94	1	19	39	CLRG-1502	91	31	CATG-150
246	346	205	159	114	61	56	94	1	19	52	CLRG-1504	91	31	CATG-150
296	446	205	159	114	61	56	94	1	19	65	CLRG-1506	91	31	CATG-150
346	546	205	159	114	61	56	94	1	19	78	CLRG-1508	91	31	CATG-150
396	646	205	159	114	61	56	94	1	19	92	CLRG-15010	91	31	CATG-150
446	746	205	159	114	61	56	94	1	19	105	CLRG-15012	91	31	CATG-150
212	262	235	184	133	67	66	113	1	24	55	CLRG-2002	118	35	CATG-200
312	462	235	184	133	67	66	113	1	24	91	CLRG-2006	118	35	CATG-200
462	762	235	184	133	67	66	113	1	24	146	CLRG-20012	118	35	CATG-200
235	285	275	216	165	73	78	145	1	24	89	CLRG-2502	144	46	CATG-250
335	485	275	216	165	73	78	145	1	24	136	CLRG-2506	144	46	CATG-250
485	785	275	216	165	73	78	145	1	24	207	CLRG-25012	144	46	CATG-250
322	372	310	241	197	101	75	177	1	19	184	CLRG-3002	160	62	CATG-300
422	572	310	241	197	101	75	177	1	19	232	CLRG-3006	160	62	CATG-300
572	872	310	241	197	101	75	177	1	19	303	CLRG-30012	160	62	CATG-300
374	424	350	267	216	114	105	196	3	27	270	CLRG-4002	193	51	CATG-400
474	624	350	267	216	114	105	196	3	27	330	CLRG-4006	193	51	CATG-400
624	924	350	267	216	114	105	196	3	27	421	CLRG-40012	193	51	CATG-400
419	469	400	305	248	114	135	228	3	27	401	CLRG-5002	228	63	CATG-500
519	669	400	305	248	114	135	228	3	27	480	CLRG-5006	228	63	CATG-500
669	969	400	305	248	114	135	228	3	27	599	CLRG-50012	228	63	CATG-500
429	479	430	330	267	114	135	247	3	27	474	CLRG-6002	241	76	CATG-600
529	679	430	330	267	114	135	247	3	27	565	CLRG-6006	241	76	CATG-600
679	979	430	330	267	114	135	247	3	27	701	CLRG-60012	241	76	CATG-600
484	534	505	387	317	149	135	297	3	27	741	CLRG-8002	287	75	CATG-800
584	734	505	387	317	149	135	297	3	27	868	CLRG-8006	287	75	CATG-800
734	1034	505	387	317	149	135	297	3	27	1058	CLRG-80012	287	75	CATG-800
564	614	560	432	343	174	170	323	3	27	1062	CLRG-10002	311	93	CATG-1000
664	814	560	432	343	174	170	323	3	27	1213	CLRG-10006	311	93	CATG-1000
814	1114	560	432	343	174	170	323	3	27	1439	CLRG-100012	311	93	CATG-1000